



(PLEASE PRINT CLEARLY)

ORDER FORM

Date: ___ / ___ / ___

Name: _____

Purchase Order # _____

Street: _____

NOTE: TO PROCESS THIS ORDER, PLEASE SUBMIT TO AN AUTHORIZED S&W DEALER. FOR A DEALER NEAREST YOU, PLEASE CALL US AT: 1-800-53-BADGE OR E-MAIL US AT: dealer@smithwarren.com. THANK YOU!

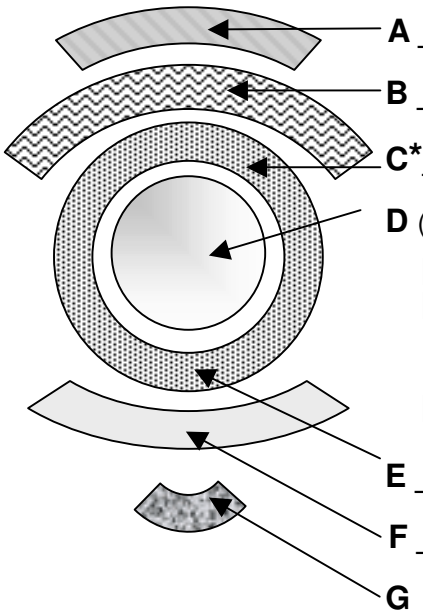
City: _____ St. _____ Zip: _____

Telephone: () - _____ - _____

1. BADGES:

Model # _____ Qty. _____

(Fill in only those panels which apply)



A _____

B _____

C* _____

D (State or Center Seal #) _____

- Plain
- Blue Enamel Border / One Color
- Multi-Color
- Plain, No Border
- Blue, No Border

E _____

F _____

G _____

SPECIAL INSTRUCTIONS

* TEXT SEPARATORS

(optional) Panels C & E

- Hollow Stars ☆
- Solid Stars ★
- Solid Dots ●

2. METAL FINISH

- Nickel Sil-Ray
- Rhodium Gol-Ray
- Gold Cote D'or
- TWO-TONE**
- Gold w/ Sil-Ray Panels
- Sil-Ray w/ Gold Panels

3. LETTERING ENAMEL

- Soft Hard

4. FONT

- Block (STANDARD)
- Roman

5. LETTERING COLOR

- Blue Black
- Other:

6. BADGE BACK

- Shell Solid

7. ATTACHMENTS

- Pin & Safety Catch
- Clutch Back
- Screw Post
- Lugs
- Money Clip
- Wallet Clip
- Dog Loop
- Chain Loop
- None
- Other: _____

8. SHAPE

- Flat Curved

9. BADGE CASES

Style # _____ Qty. _____

- **Standard Finishes** include **NICKEL, RHODIUM** and **GOLD** electroplating. The badge prices include a plain seal (no enamel color) and standard (soft) enamel lettering. Color seals and Hard-Fired lettering are available at additional cost.
- **Deluxe Finishes** include **SIL-RAY, GOL-RAY** and **Two-Tone**. All **Deluxe Finish** and **Reverse Enamel** badge prices include **Hard Enamel** lettering and **Multi-Color** seals.